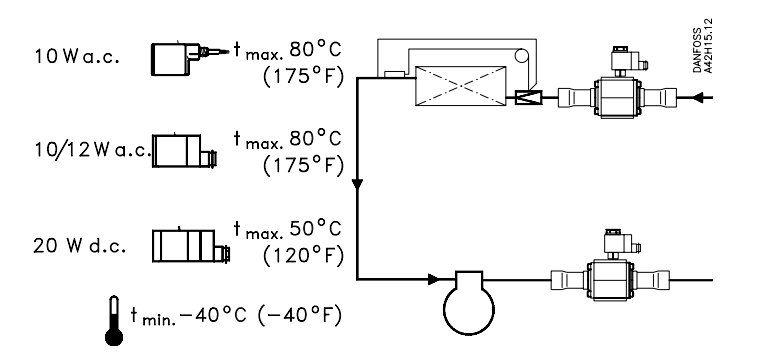
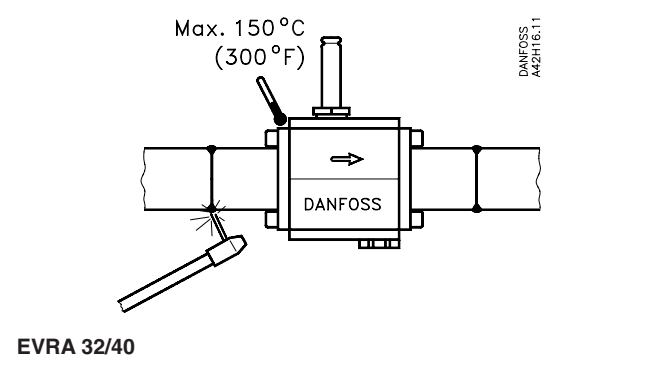
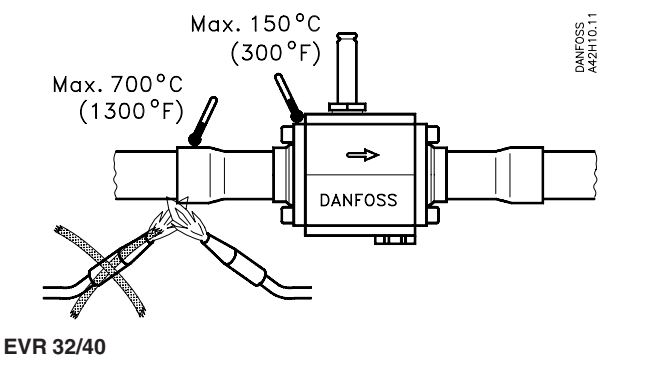
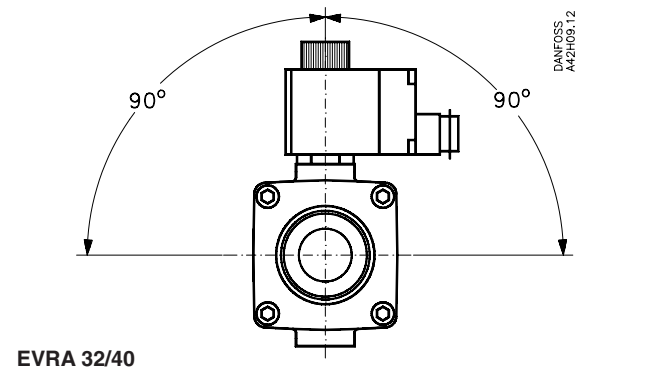
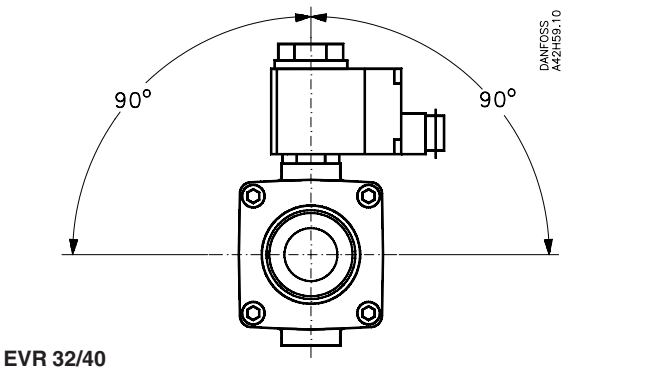
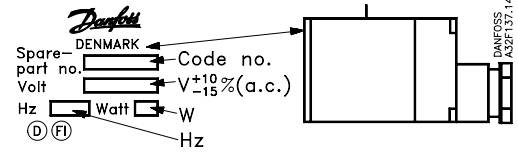
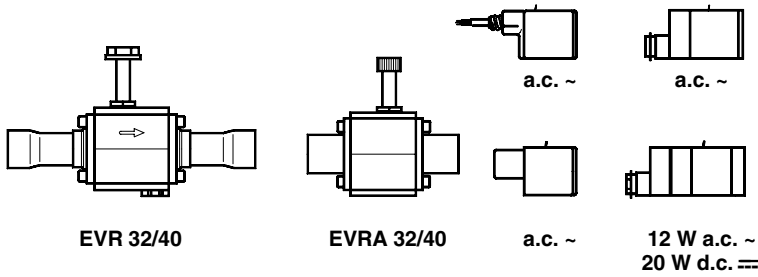
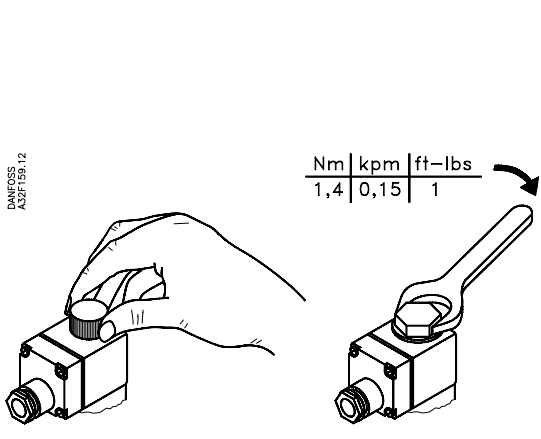


032R9518

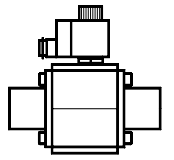
032R9518



Min. medium temperature:  $-40^{\circ}\text{C}$  ( $-40^{\circ}\text{F}$ )  
 Max. medium temperature:  $105^{\circ}\text{C}$  ( $220^{\circ}\text{F}$ )  
 Max. working pressure: PB 28 Bar/MWP 405 psig  
 Max. opening diff. pressure (MOPD): →

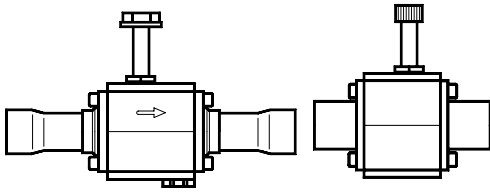


**EVR/EVRA**



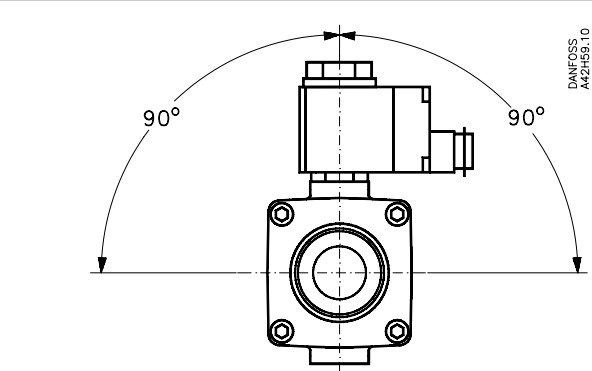
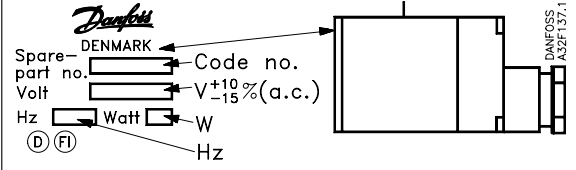
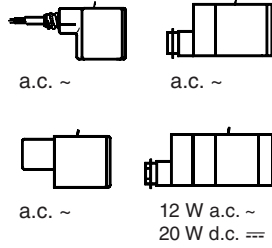
032R9521

032R9521

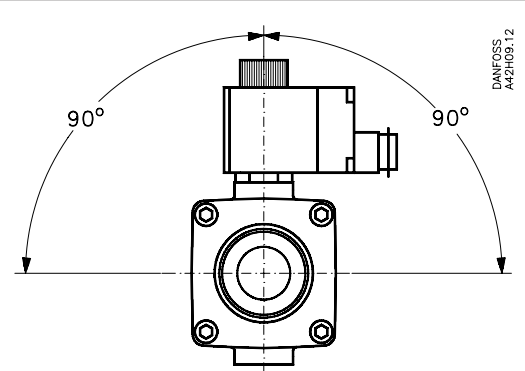


EVR 32/40

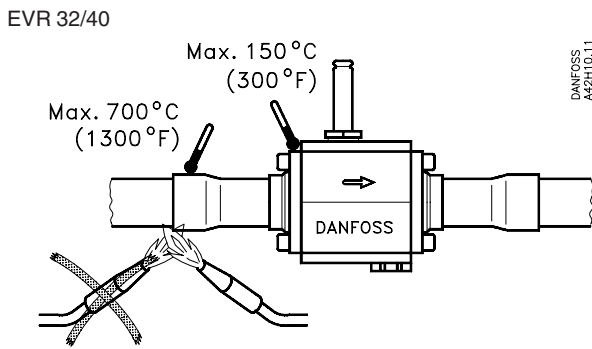
EVRA 32/40



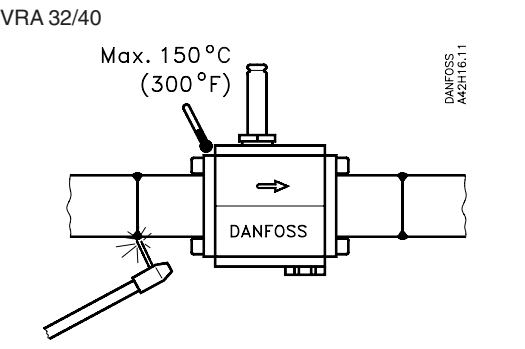
EVR 32/40



EVRA 32/40

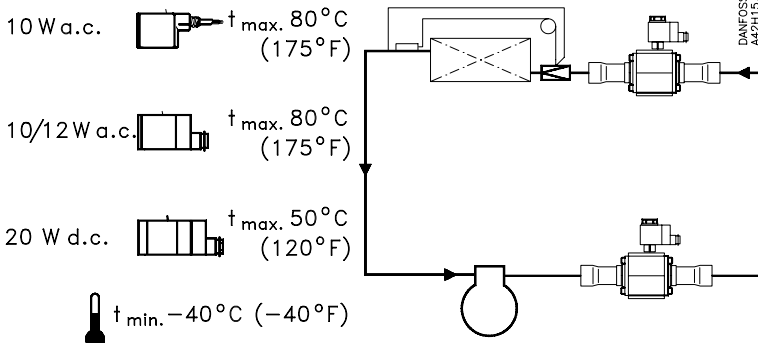


EVR 32/40



EVRA 32/40

**EVR/EVRA**



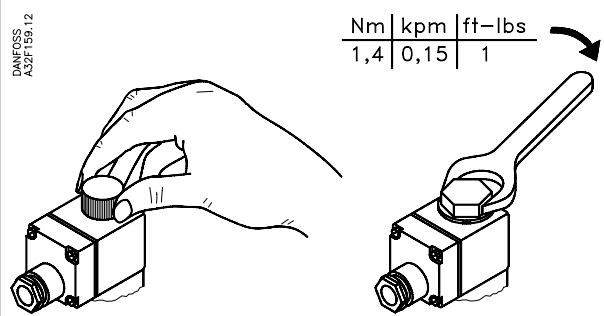
10 W a.c.  $t_{max.} 80^{\circ}C (175^{\circ}F)$

10/12 W a.c.  $t_{max.} 80^{\circ}C (175^{\circ}F)$

20 W d.c.  $t_{max.} 50^{\circ}C (120^{\circ}F)$

$t_{min.} -40^{\circ}C (-40^{\circ}F)$

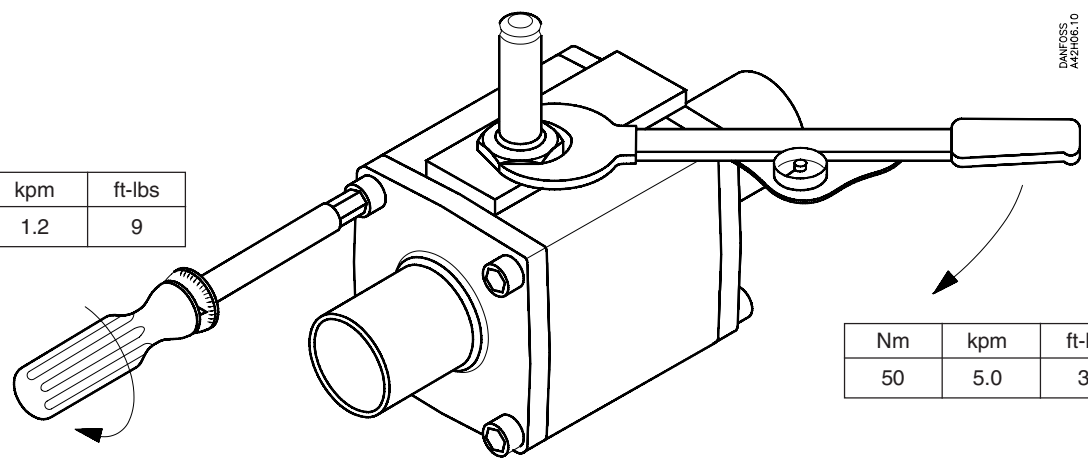
Min. medium temperature:  $-40^{\circ}C (-40^{\circ}F)$   
 Max. medium temperature:  $105^{\circ}C (220^{\circ}F)$   
 Max working pressure: PB 28 Bar / MWP 405 psig  
 Max opening diff. pressure (MOPD): →



Nm	kpm	ft-lbs
1,4	0,15	1

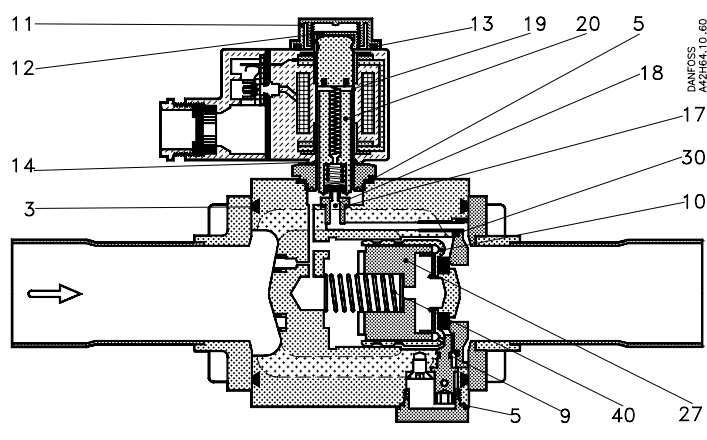
DANFOSS  
A42H06.10

Nm	kpm	ft-lbs
12	1.2	9

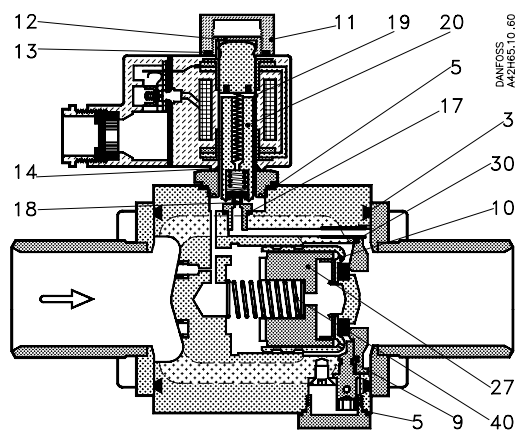


Nm	kpm	ft-lbs
50	5.0	37

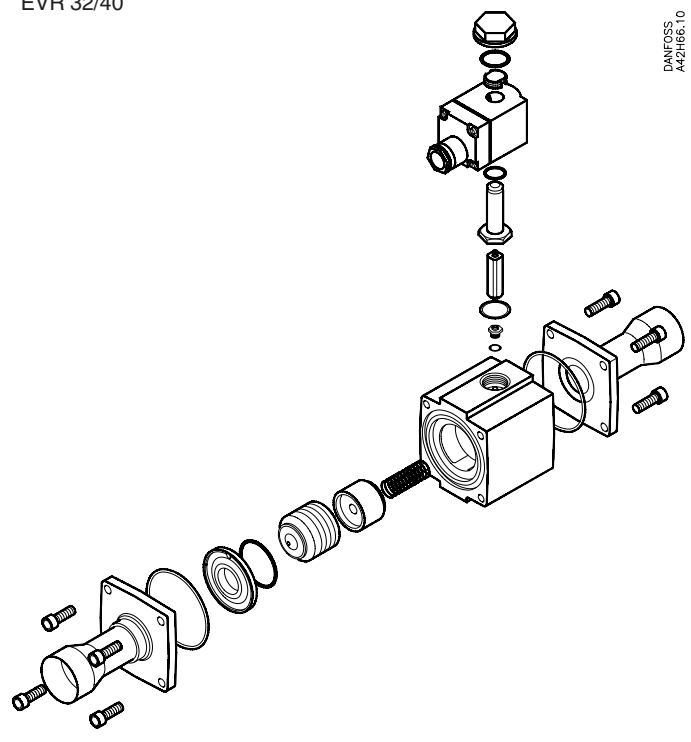
EVR 32/40



EVRA 32/40

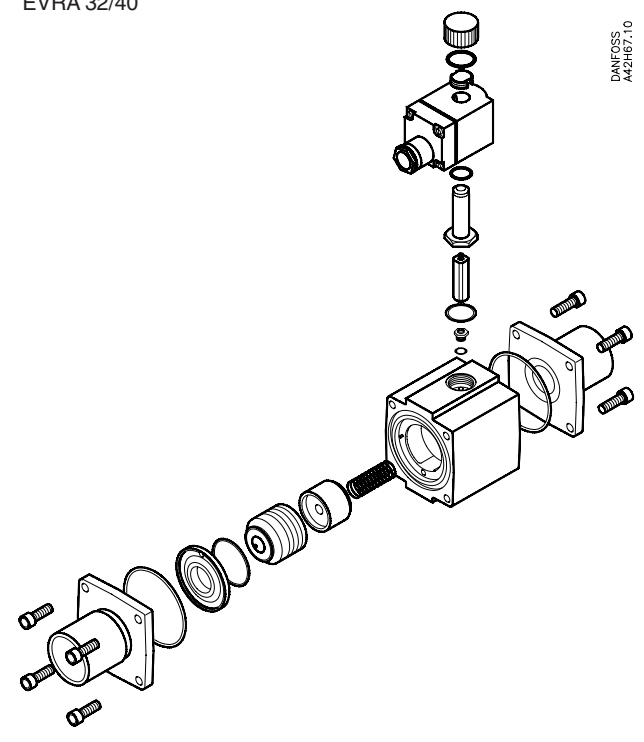


EVR 32/40



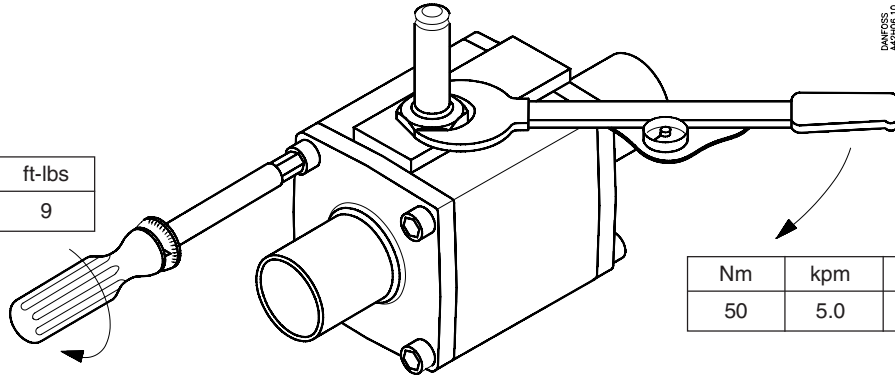
DANFOSS  
A42H06.10

EVRA 32/40

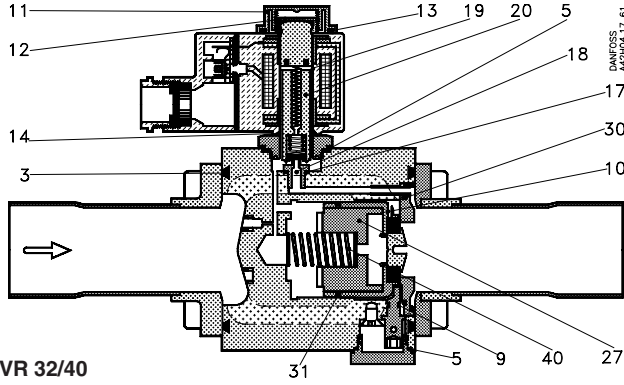


DANFOSS  
A42H06.10

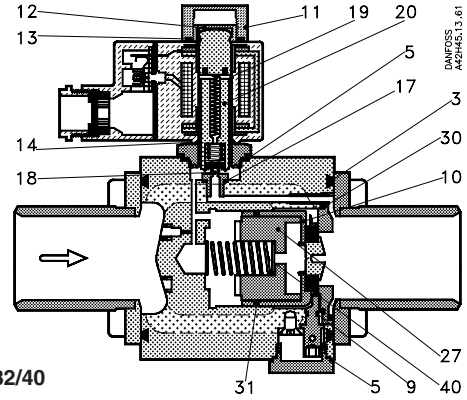
Nm	kpm	ft-lbs
12	1.2	9



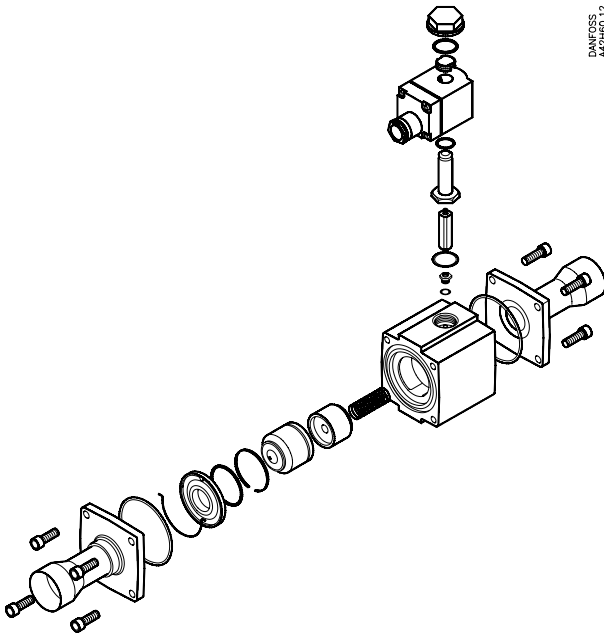
Nm	kpm	ft-lbs
50	5.0	37.5



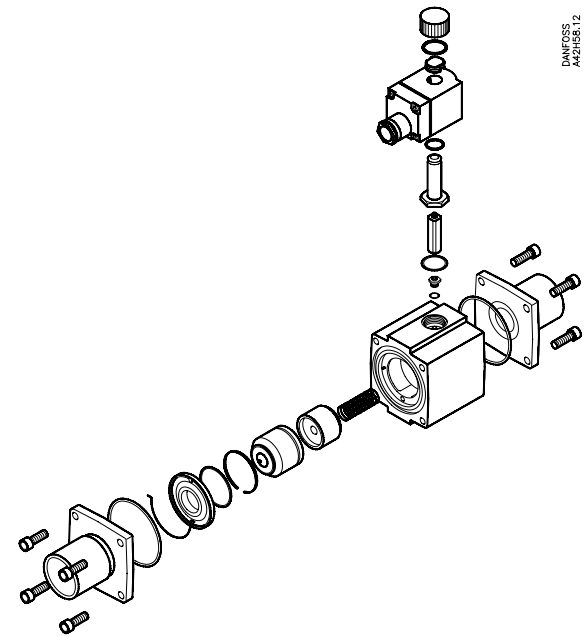
EVR 32/40



EVRA 32/40



EVR 32/40



EVRA 32/40

